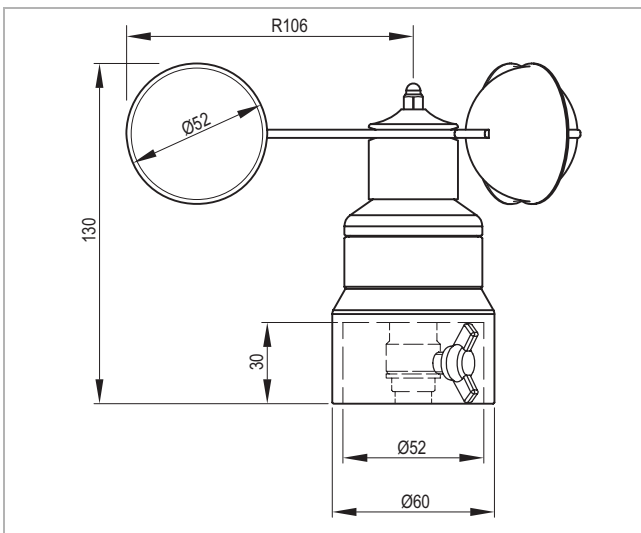


# INT10 BA<sup>®</sup> Anemometer

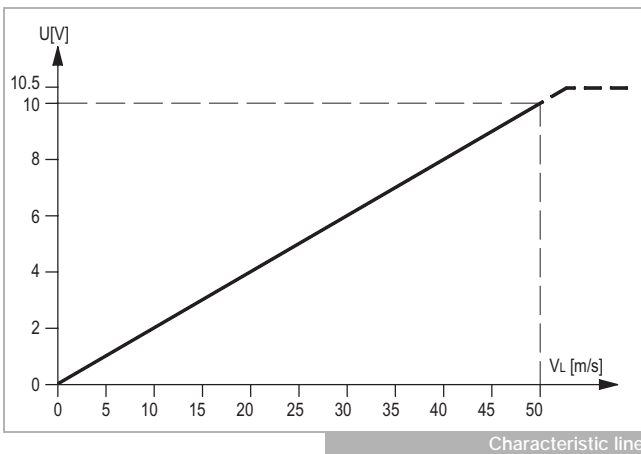
## INT10 BA<sup>®</sup>



INT10 BA mast mounting



Dimensions in mm



Characteristic line

### Application

KRIWAN anemometers of the Building Automation Series are employed everywhere where the requirement profile does not necessarily require the implementation of highest-quality sensors and where you can fall back on the reliable properties of the KRIWAN wind sensors at the same time.


Areas of application are for instance the wind recording in the building technology.

### Functional description

The KRIWAN-Anemometer INT10 BA anemometer records the current wind speed and converts it into a linear output signal without contact. The sensor is storm-proof and weather-proof. The built-in self-regulating heating allows it to be used at temperatures down to  $-40^{\circ}\text{C}$ . The evaluation is then carried out separately with a measuring device, a display instrument or in the connected control and monitoring system.

This KRIWAN anemometer excel on account of the following features:

- Robust and reliable design
- Low starting torques at high load capacity
- Outstanding precision
- Wear-free recording of measurement data
- Optimised power requirement through electronic heater control
- Simple installation
- Extended temperature range
- Integrated overvoltage protection
- $\ulcorner$ UL<sub>US</sub> - approval
- Maintenance free

 The unit must be connected by trained electrical personnel. All valid European and national standards for connecting electrical equipment must be observed. To avoid any consequential damage or operational failure, through direct or indirect excitation in the event of lightning strikes, we recommend that a separate lightning protection device be fitted by the customer.

### Order data

INT10 BA Anemometer 0-50m/s; 0-10V  
Mast mounting; plug; heating **13 N 540**

### Spare parts

Spare parts package cup anemometer (cup anemometer, cap nut, serrated washer)	<b>02 Z 160 S21</b>
Hexagon nut M27x1.5	<b>HM27002400</b>
Serrated washer J28	<b>HX28014600</b>
Clamp connector female (M16) 7-pin	<b>FA04114</b>

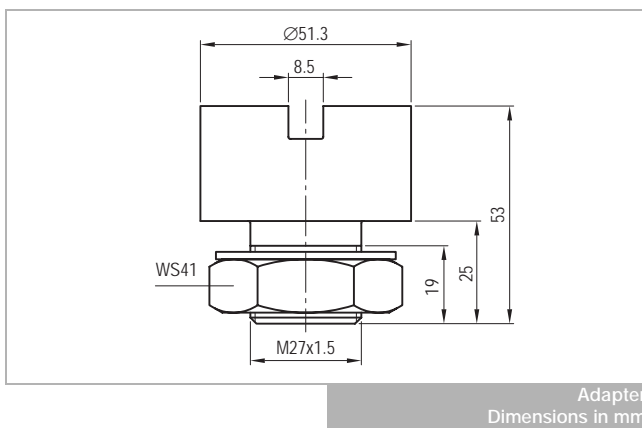
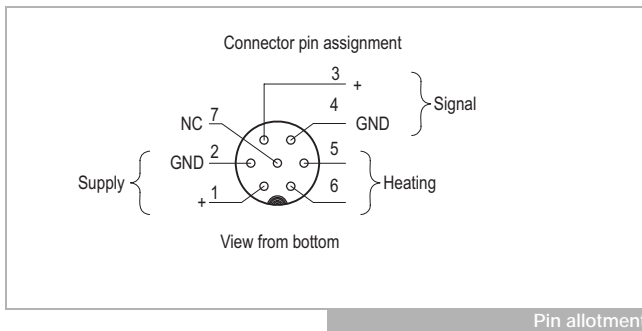
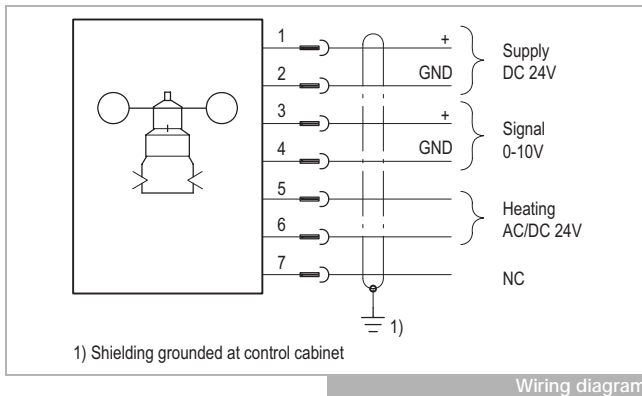
### Accessories

Adapter for central mounting (Adapter, serrated washer, hexagon nut M27)	<b>02 Z 165</b>
--	-----------------

Technical changes reserved

# INT10 BA<sup>®</sup> Anemometer

## INT10 BA<sup>®</sup>



### Technical specifications

Measuring principle	Noncontact, magnetic scanner
Measuring range	0-50m/s
Accuracy	±0.5m/s
Resolution	<0.1m/s
Start-up speed	<0.5m/s ( $\theta_U = 20^\circ\text{C}$ )
Supply	DC 24V ±25% max. 10mA reverse-polarity protection
Signal output	DC 0-10V limited to 10.5V
Signal availability	Max. 2.5s (from voltage-free state)
Load resistor	≥10kOhm
Connection type	Plug M16
Permitted ambient temperature	-40...+70°C Heating not connected: snow and ice free sensor required.
Permitted rel. humidity	0-100% r.h.
Strength	For wind speed of 60m/s (max. 30min)
Heating	Automatic heating controller AC/DC 24V ±20%, max. 20VA SELV
Protection class based on EN 60529	IP54 for intended use sensor mounting
Mounting	Steel tube mast max. $\varnothing_{\text{exterior}}$ 50mm min. $\varnothing_{\text{interior}}$ 37mm
Dimensions	Refer to dimensions in mm
Housing material	Aluminium
Cup anemometer	Aluminium
Corrosion resistance	Seawater-resistant alloy
Weight	Approx. 400g
Check base	EN 61000-6-2 EN 61000-6-3 EN 61010-1
Approval	UL File No. N.N.

Technical changes reserved